



# **P460HVN01 Super Narrow Bezel Promotion Kit**

Auo / PID Team

# Main Feature of AUO Super Narrow Bezel



## AUO Major Advantage

**Economic**

Power Consumption: 195W

**Green**

D-LED backlight

**Vivid**

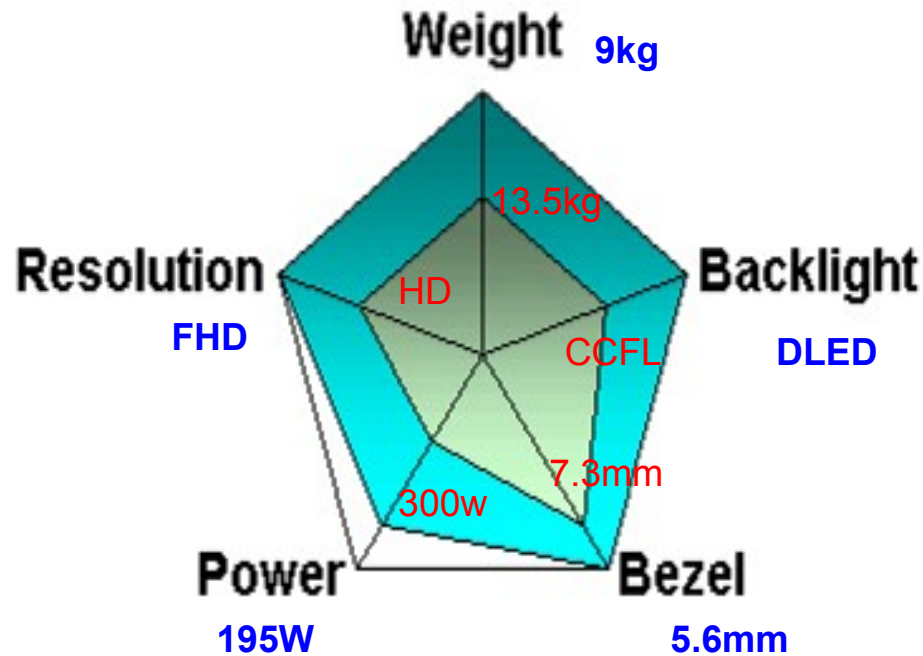
FHD Resolution

**Narrow**

AA to AA 5.6mm

**Lightweight**

9kg



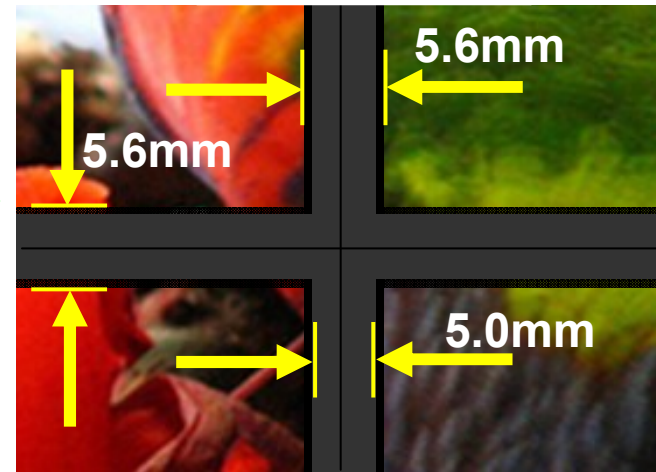
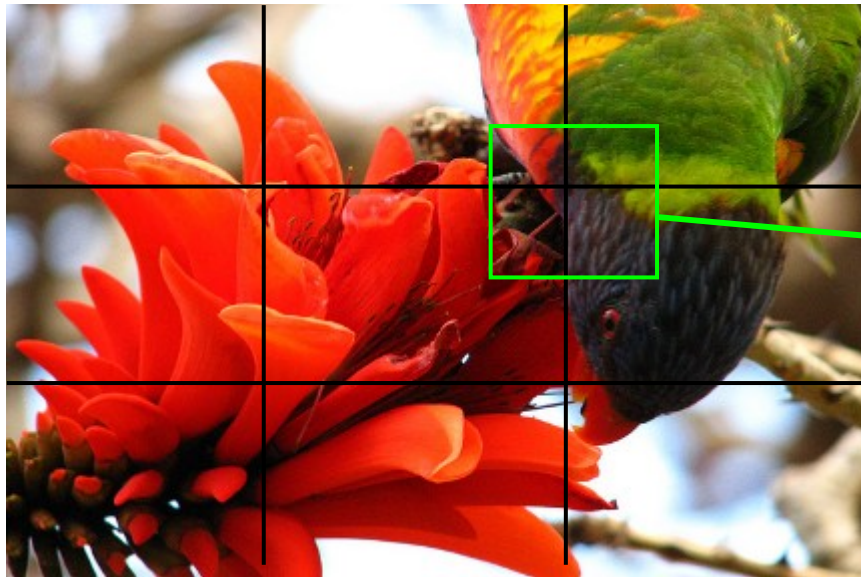
# The Reason to Choose AUO Super Narrow Bezel



AUO's extremely narrow bezel is the leading panel in video wall world.

Bezel to Bezel: 5.0mm

AA to AA (including Black Matrix): 5.6mm



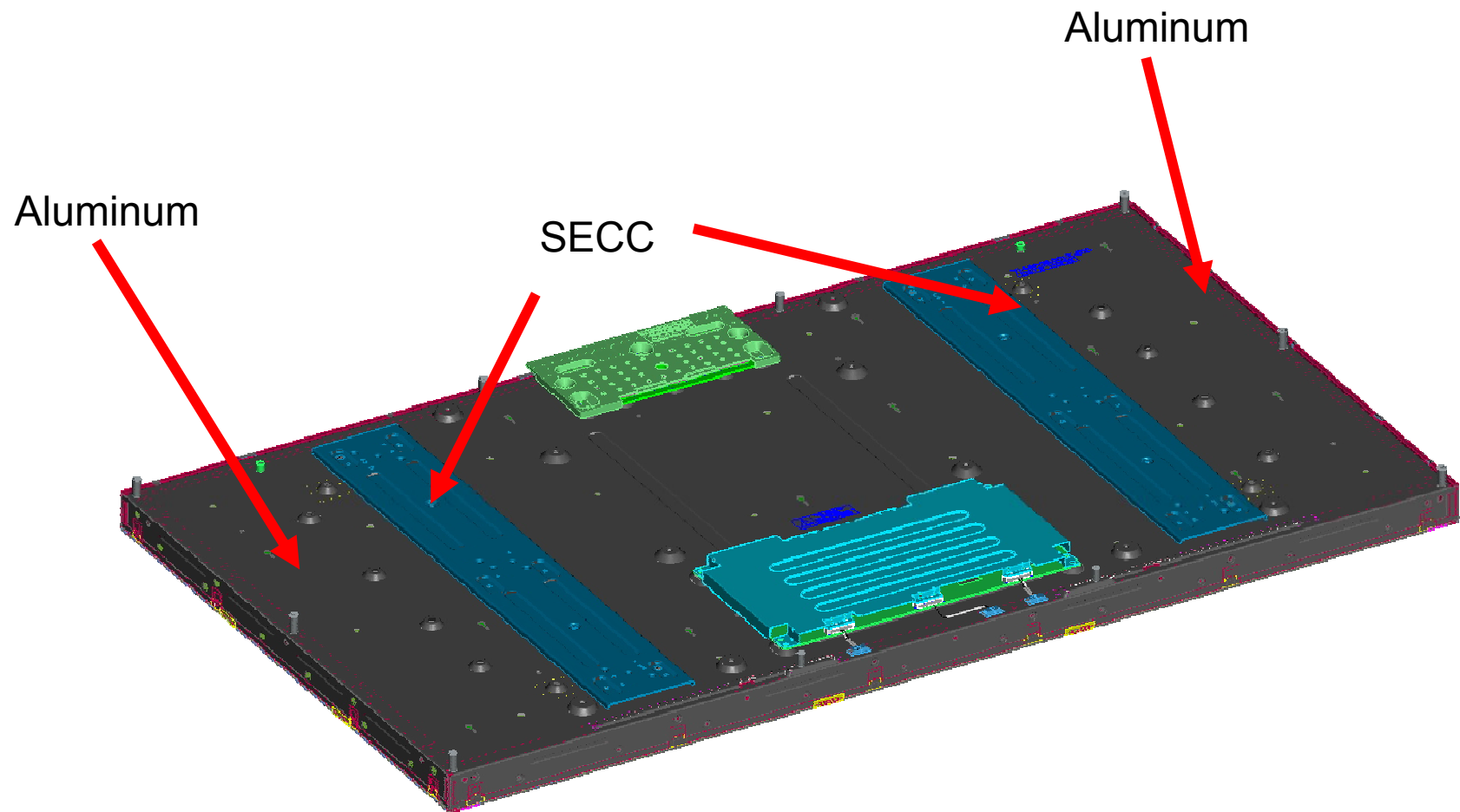
D-LED backlight provides good brightness and thermal uniformity.



# Lightweight Design: Aluminum Back Plate + SECC Bracket



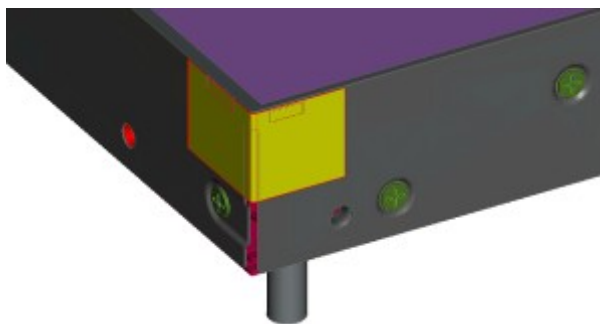
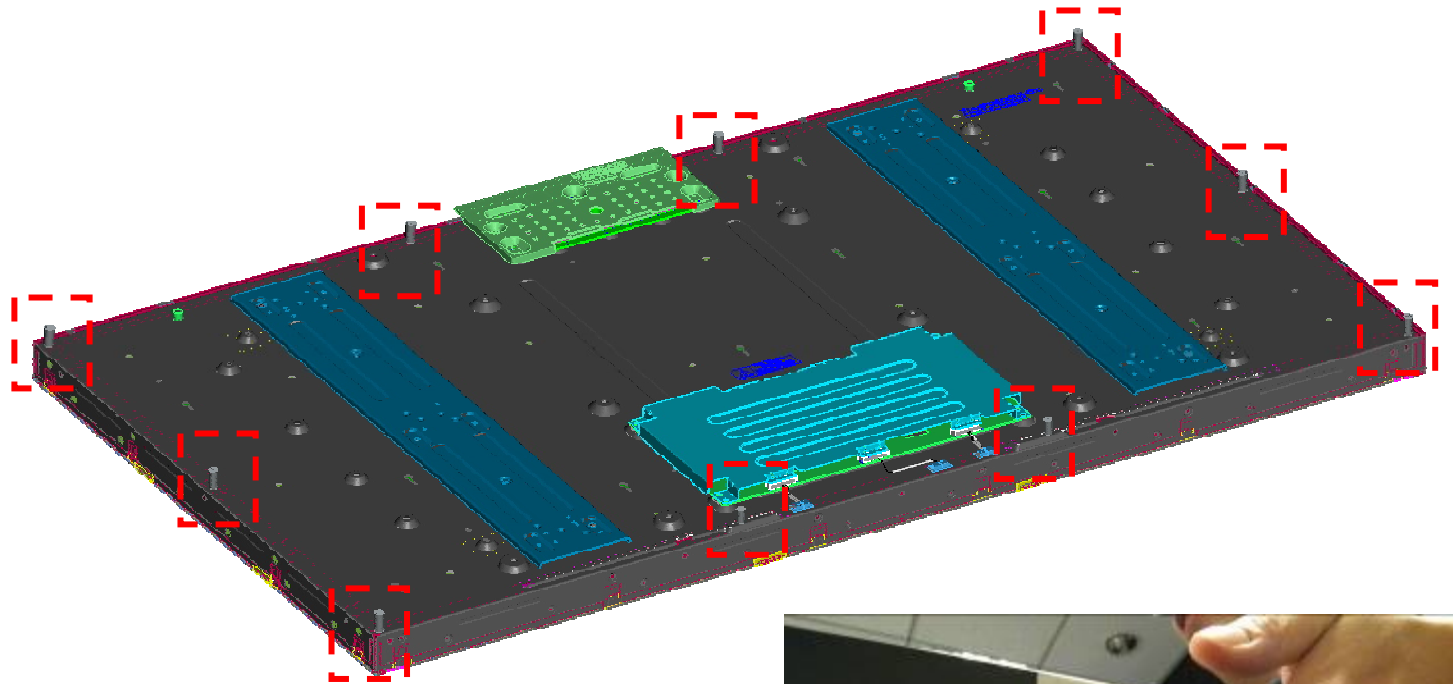
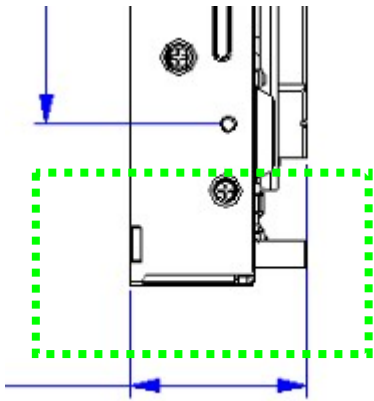
1. SECC bracket :
  - Reliable mechanical strength
2. Aluminum back plate:
  - Better thermal uniformity
  - Up to 3Kg reducing



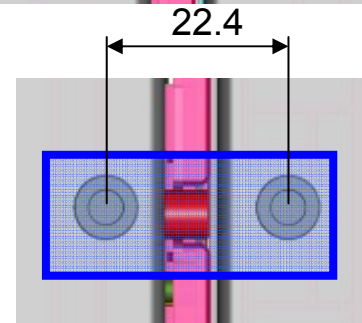
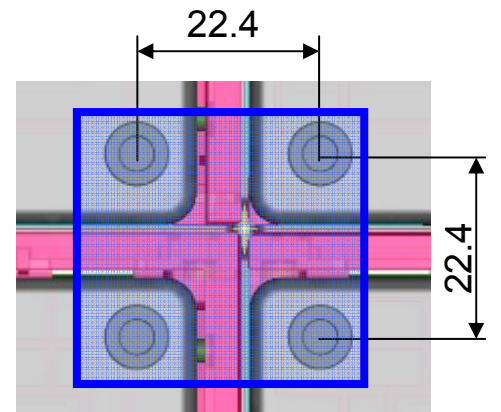
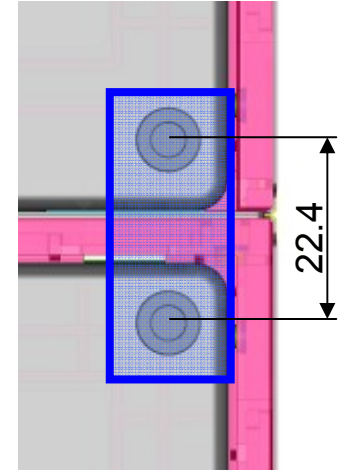
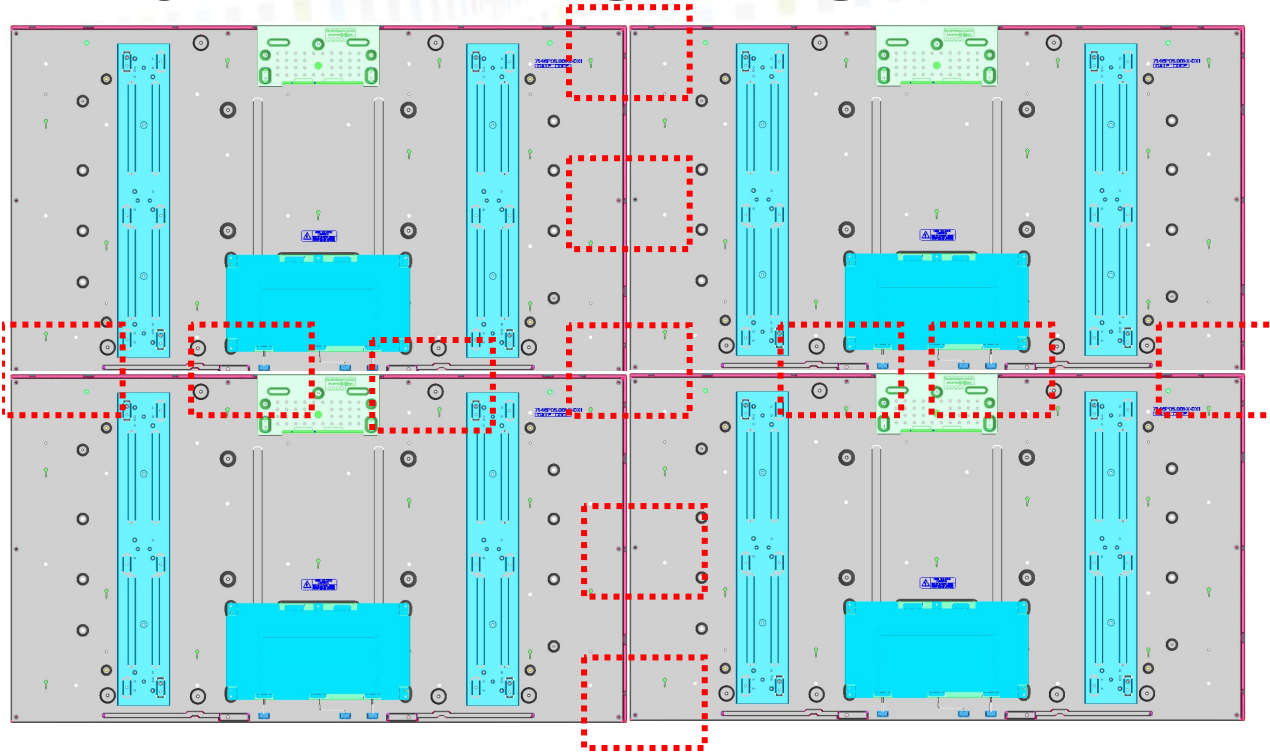
# Easy Handling Design – 10 Bosses surrounding



**Bosses spread around the panel, providing easy handling spot.**

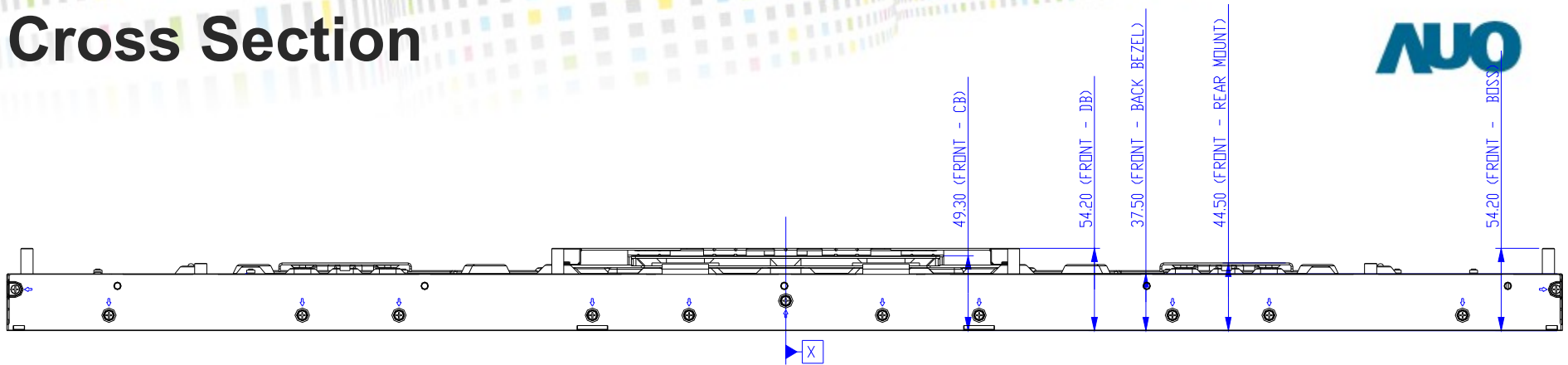


# Easy Assembling Design - Boss



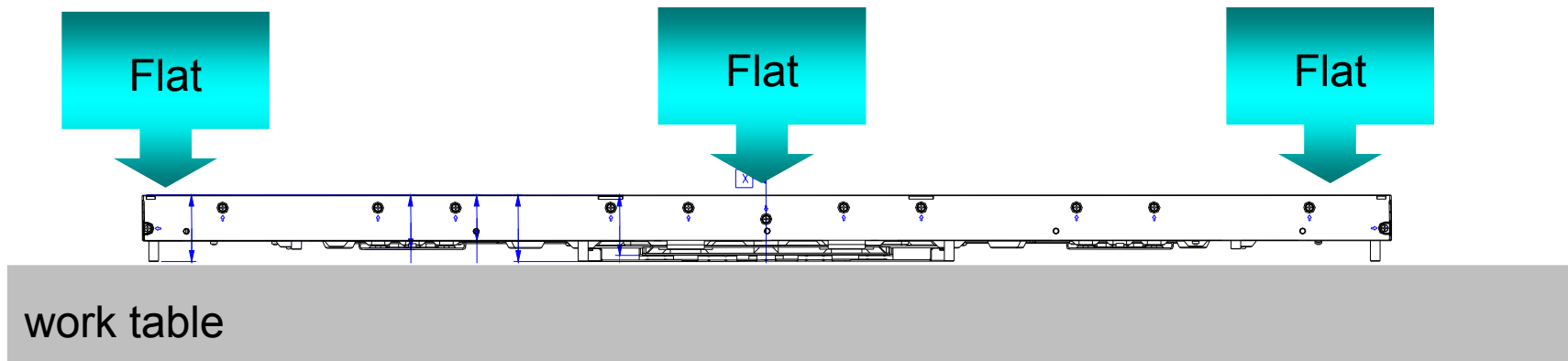
These bosses can be used to attach panels effectively.

# Cross Section



The bosses surrounding the panel are as high as driver board cover. They help when system makers place the panel flat on the desk.

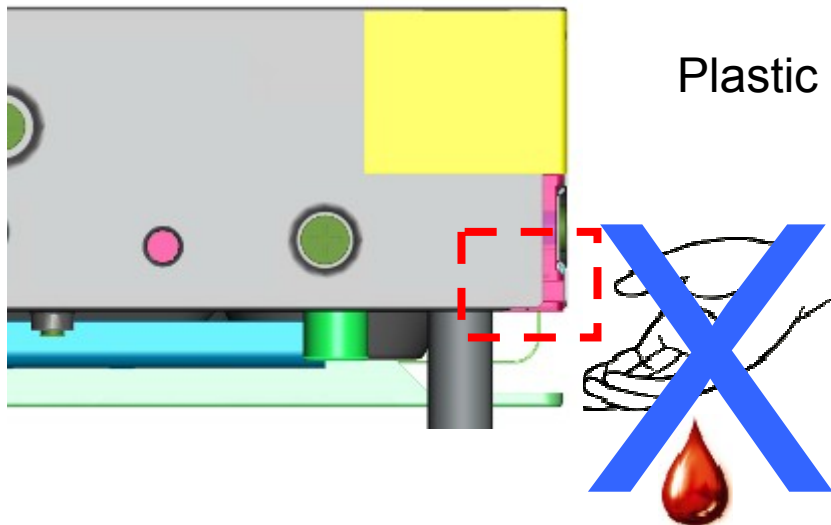
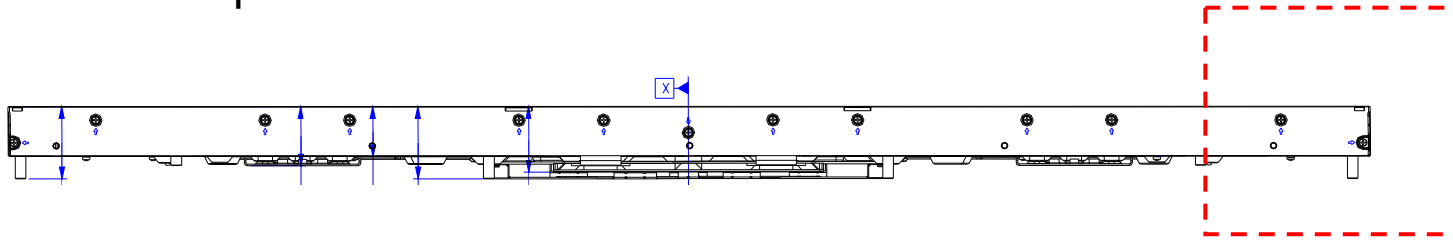
Flat placement facilitates workflow.



# Front Bezel Safety Handling design



AUO's unique design can protect operators from getting injured.  
Competitors: Super slim front bezel can easily hurt operators while they assemble panel.



Plastic part



The frame is deeper than front bezel, so hands will not be injured by the slim edge of front bezel.





# AUO

Innovating Life

